

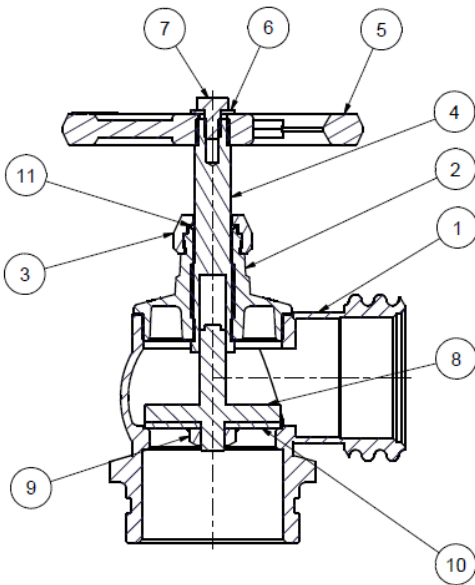
Hydrant Valves



Hydrant Valves are available in all thread types to suit each state requirement.

Valves are available in 90 degree and 30 degree with 65mm BSP male or 80mm roll groove.

All Hydrant Valves are manufactured and approved to AS2419.2.



Parts List		
Item	Qty	Description
1	1	Body
2	1	Cover
3	1	Cover Nut
4	1	Spindle
5	1	Wheel Handle
6	1	Washer
7	1	Set Screw
8	1	Seat
9	1	Nut Jumper Valve
10	1	Seat Disc
11	1	O-ring



Storz Adaptors

- Used to convert to or from a fire brigade thread
- Forged aluminium adaptor
- NSWFB & MFB (5 thread) to Male



Hydrant Valve Caps

- Available in red plastic or brass
- A wide range of sizing available to suit state requirements



Spare Parts

- We supply a broad range of spare parts available on request

