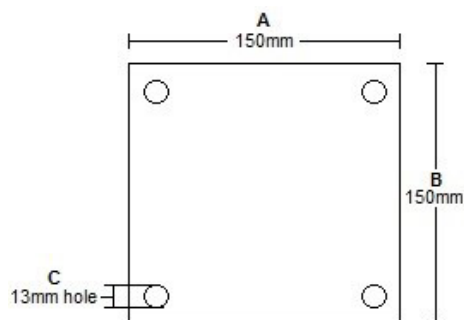
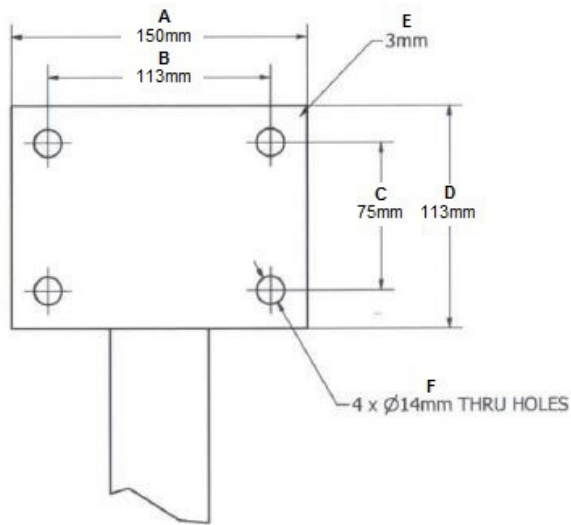


## Hose Reel Stand

### Specifications

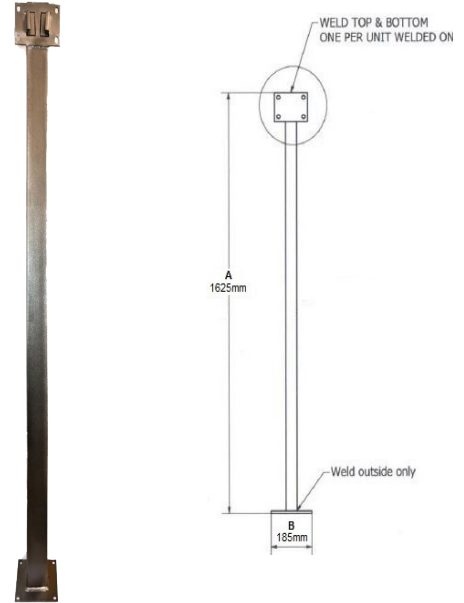
- Metal fire hose reel stand
- Galvanised finish
- Free Standing
- Ideal for outdoor application
- 4 Mounting holes on base plate

### Diagrams



Item No: 2000-2032

### Schematic



Specifications						
Extinguisher Agent Weight	1.0 kg	1.5 kg	2.0 kg	2.5 kg	4.5 kg	9.0 kg
Rating	1A:10B:E	2A:20B:E	2A:30B:E	3A:40B:E	4A:60B:E	10A:80B:E
Working Pressure (bar)	1000 kPa	1400 kPa	1400 kPa	1400 kPa	1400 kPa	1400 kPa
Test Pressure (bar)	2.5 MPa	2.5 MPa	2.5 MPa	2.5 MPa	2.5 MPa	2.5 MPa
Dimension (mm)	300 x 90	360 x 100	400 x 110	435 x 130	550 x 145	610 x 182

Specifications are subject to change without notification.

