

## Hydrant Valves

Hydrant Valves are available in all thread types to suit each state requirement. Valves are available in 90 and 30 degrees with 65mm BSP male or 80mm roll groove. All Hydrant Valves are manufactured and approved to AS2419.2.

### Hydrant Valve Vic Metro STORZ

Item Number	Description
2000-4001	Certified and approved AS2419.2 Bottom entry 80mm roll grooved & BSP female inlet 65mm Storz outlet



### Hydrant Valve NSW FBT

Item Number	Description
2000-4002	Certified and approved to AS2419.2 Bottom entry 80mm roll grooved & BSP female inlet 65mm FBT Outlet



### Hydrant Valve QLD QRT

Item Number	Description
2000-4003	Certified and approved to AS2419.2 Bottom entry 80mm roll grooved & BSP female inlet 65mm QRT outlet



### Hydrant Valve SA SART

Item Number	Description
2000-4004	Certified and approved to AS2419.2 Bottom entry 80mm roll grooved & BSP female inlet 65mm SART outlet



### Hydrant Valve WA, NT, BIC

Item Number	Description
2000-4005	Certified and approved to AS2419.2 Bottom entry 80mm roll grooved & BSP female inlet 65mm BIC outlet



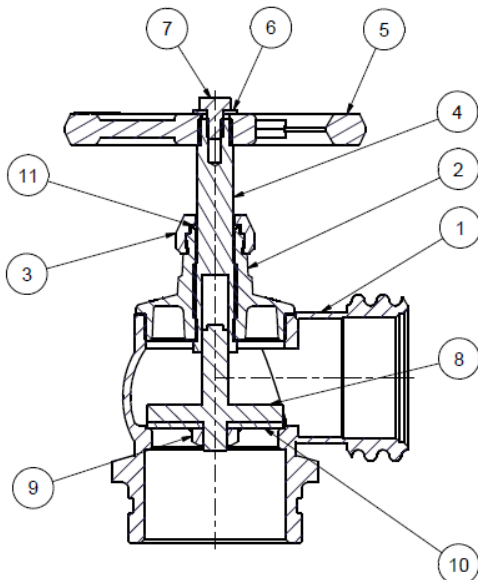
### Hydrant Valve Qld QRT

Item Number	Description
2000-4006	Certified and Approved AS:2419.2 Hydrant Valve 65mm BSP Male to QRT OUT



### Hydrant Valve Vic CFA

Item Number	Description
2000-4007	Certified and Approved AS:2419.2 Bottom entry 65mm BSP female inlet CFA outlet



#### Parts List

Item	Qty	Description
1	1	Body
2	1	Cover
3	1	Cover Nut
4	1	Spindle
5	1	Wheel Handle
6	1	Washer
7	1	Set Screw
8	1	Seat
9	1	Nut Jumper Valve
10	1	Seat Disc
11	1	O-ring



### Storz Adaptors

- Used to convert to or from a fire brigade thread
- Forged aluminium adaptor
- NSWFB & MFB (5 thread) to Male



### Hydrant Valve Caps

- Available in red plastic or brass
- A wide range of sizing available to suit state requirements



### Spare Parts

- We supply a broad range of spare parts available on request