

## 20W LED Oyster Emergency Light

TRADELIKE

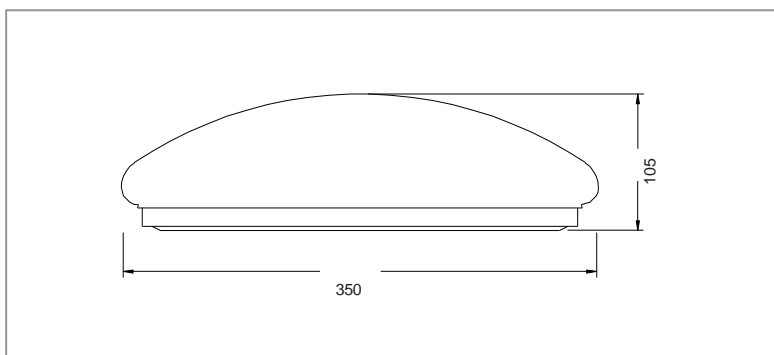


### FEATURES

#### Maintained

- 3 hour discharge
- 3 year warranty
- Constant current driver
- 1800mAh lithium battery technology
- Built-in LED panel
- Colour temp 5700k
- Large 6mm terminal block for easy installation
- Designed and manufactured to AS2293.3

### DIMENSIONS



### SPECIFICATIONS

Antec Order Code	EL-OYS-20W
Input Voltage	240v
Wattage	20w
Lumen Output	2000lm
Colour Temp	5700k
Beam Angle	120°
Diffuser	Opal
Operating Mode	Maintained
Testing System	Manual
Battery Type	Lithium 1800mAh 3 hour discharge
AS2293 Classification	C0=D50 C90=D20
Applicable Standard	AS/NZS2293.3
Operating Temp	1°C to 40°C
Dimensions (mm)	350x105
Weight	1.5kg