

## Twin Spot IP65 LED Emergency Light

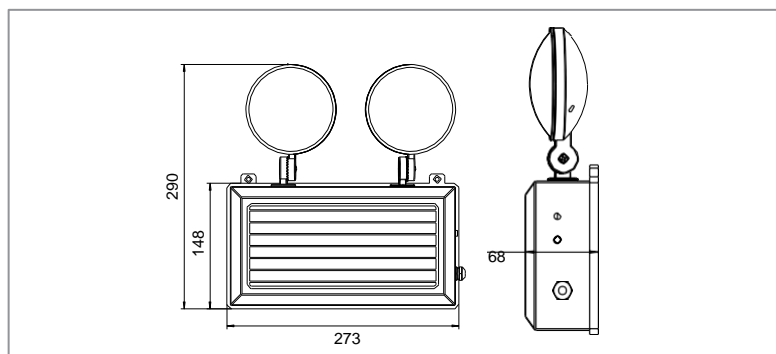
TRADELIKE



### FEATURES

- Low power consumption
- Wall mounting
- Easy test button
- Non-maintained
- 3 hour discharge
- Polycarbonate body
- Designed and manufactured to AS/NZS2293.3

### DIMENSIONS



### SPECIFICATIONS

Antec Order Code	EL-FLOOD-TWIN
Input Voltage	240v
Wattage	2 x 3w
Construction	Polycarbonate body
Mounting	Wall mounting
Beam Angle	120°
Operating Mode	Non Maintained
Testing System	Manual
Battery	Lithium 2200mAh 3 hour discharge
AS2293 Classification	C0=D40 C90=D40
Applicable Standard	AS/NZS2293.3
Operating Temp	1°C to 40°C
Battery	3 hour discharge
Dimensions (mm)	290x273x68
Weight	0.92kg